

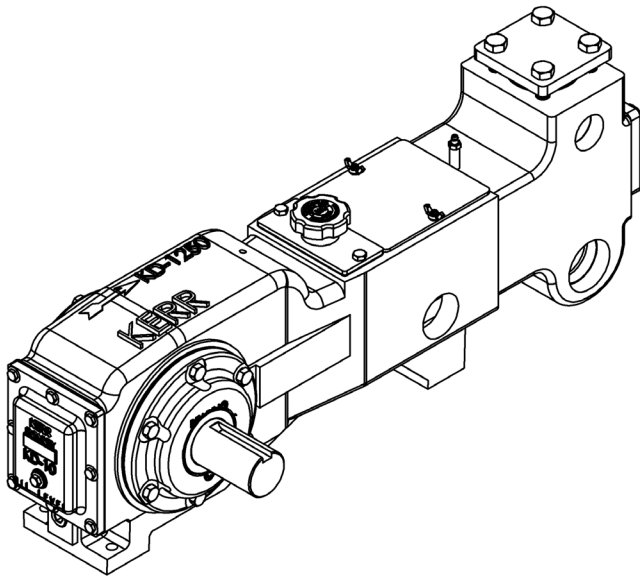
KERR

PUMPS

KD-1250BC

7.7 BHP Simplex Plunger Pump

Continuous Duty



KD-1250BC RH

SPECIFICATIONS

Configuration	Horizontal Simplex Plunger
Number of Plungers	1
Stroke Length	2.5" / 63.5 mm
Frame Load Rating	2,600 lbs
Fluid Cylinder Pressure Rating	3,600 PSI
Pump Weight (Avg.)	200 lbs / 91 kilos
Kerr Max Speed	340 RPM
Minimum Speed	100 RPM
Mechanical Efficiency (Bare Shaft)	72%
Lube System (Standard)	Splash - Gravity Feed
Lube System (Optional)	Force Feed
Lube Oil Capacity	2 quarts / 1.9 liters
Lube Oil Type	Petroleum per AGMA 5EP (ISO 220) or Synthetic per SAE 75W-90 (ISO 100)
Connection Sizes	2" NPT Suction 1 1/4" NPT Discharge

FLUID END

Cast Carbon Steel (WCB)
Cast Nickel Aluminium Bronze (955)
Cast Stainless Steel CF8M (316)
Cast Duplex SS CD3MN (2205)
Forged Carbon Steel (A105)
Forged Stainless Steel (316)

VALVES

DISC TYPE / SEAT (MAX. 2,160 PSI)	WING GUIDED
Delrin Disc / SS (316)	Ni-Al-Brz (955) / Metal-to-Metal
Delrin / Ni-Al-Brz (955)	Monel / Metal-to-Metal
Delrin / Duplex SS (CD4MCU)	SS (316) / Metal-to-Metal
SS (316) / SS (316)	17-4 HT Metal-to-Metal
Titanium / SS (316)	SS (316) / AR Urethane Inserted
PEEK / SS (316)	17-4 HT / AR Urethane Inserted

PLUNGERS

Colmonoy 730 Hard Coat
Solid Ceramic (2,160 Max. PSI)
Kerramic (Ceramic) Coated
Solid 316 Stainless Steel

* Consult Factory for Authorized Drawings for Dimensions

1) Displacement is based on 100% Volumetric Efficiency (VE)

2) Consult factory for operating speeds above maximum shown

3) 1 US gallon = 3.78541 liters

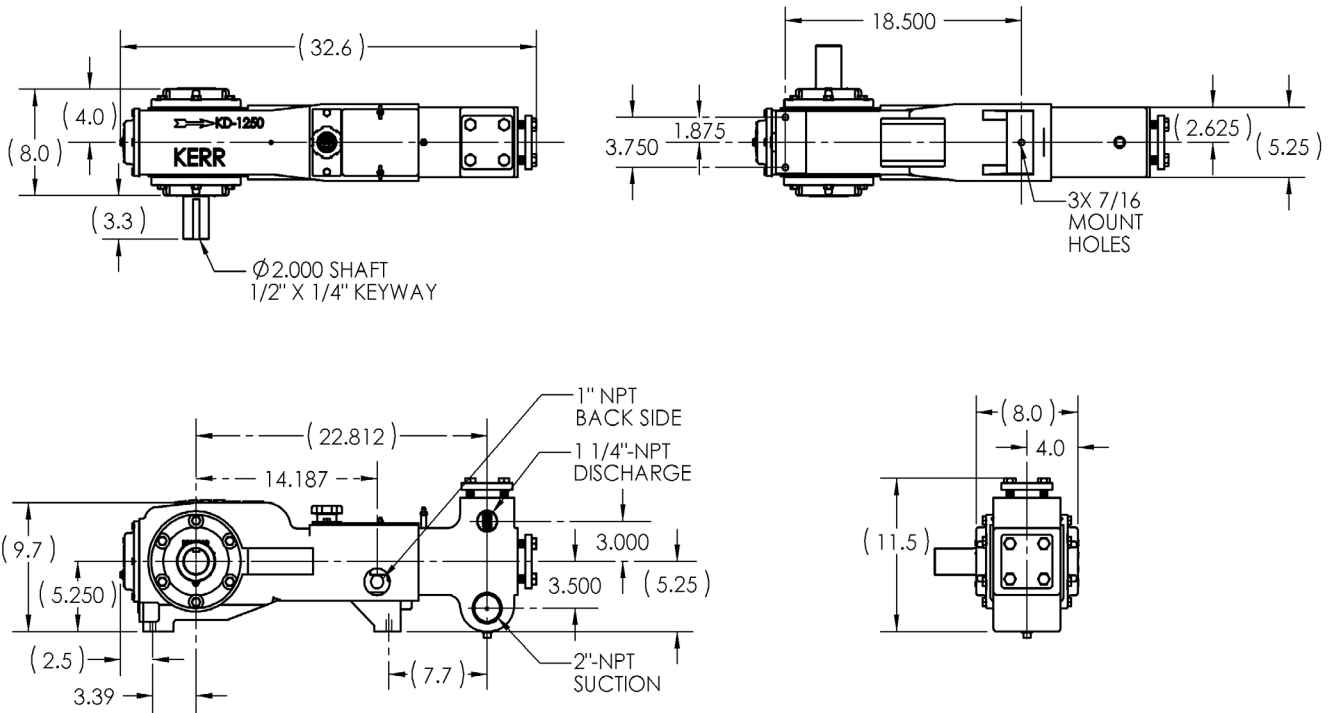
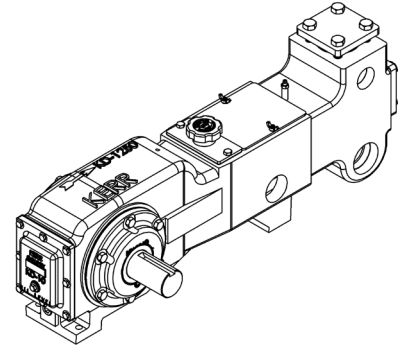
KERR

PUMPS

KD-1250BC

7.7 BHP Simplex Plunger Pump

Continuous Duty



PLGR DIA. INCHES	MAX PRESS PSI	DISP GAL PER REV	DISPLACEMENT																	
			100 RPM		120 RPM		150 RPM		190 RPM		220 RPM		250 RPM		280 RPM		310 RPM		340 RPM	
			GPM	BPD	GPM	BPD	GPM	BPD	GPM	BPD	GPM	BPD	GPM	BPD	GPM	BPD	GPM	BPD	GPM	BPD
1.000	3310	0.0085	0.8	29	1.0	35	1.3	44	1.6	55	1.9	64	2.1	73	2.4	82	2.6	90	2.9	99
1.250	2119	0.0133	1.3	46	1.6	55	2.0	68	2.5	87	2.9	100	3.3	114	3.7	128	4.1	141	4.5	155
1.500	1471	0.0191	1.9	66	2.3	79	2.9	98	3.6	125	4.2	144	4.8	164	5.4	184	5.9	203	6.5	223
1.750	1081	0.0260	2.6	89	3.1	107	3.9	134	4.9	170	5.7	196	6.5	223	7.3	250	8.1	277	8.9	304
2.000	828	0.0340	3.4	117	4.1	140	5.1	175	6.5	222	7.5	257	8.5	292	9.5	327	10.5	362	11.6	397

* Consult Factory for Authorized Drawings for Dimensions

1) Displacement is based on 100% Volumetric Efficiency (VE)

2) Consult factory for operating speeds above maximum shown

3) 1 US gallon = 3.78541 liters