

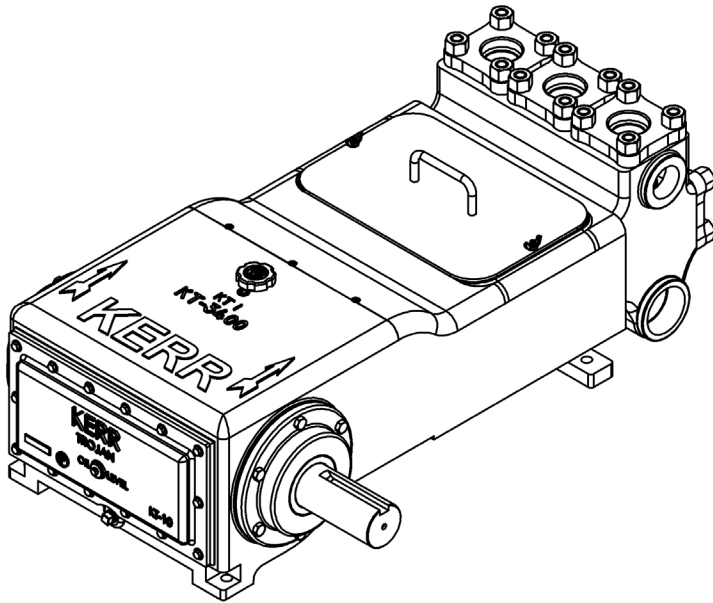
KERR

PUMPS

KT-3400

78.5 BHP Triplex Plunger Pump

Continuous Duty



KT-3400RH

SPECIFICATIONS

Configuration	Horizontal Triplex Plunger
Number of Plungers	3
Stroke Length	4.0" / 101.6 mm
Frame Load Rating	6,055 lbs
Fluid Cylinder Pressure Rating	2,160 PSI
Pump Weight (Avg.)	1,200 lbs / 545 kilos
Kerr Max Speed	385 RPM
API-674 Max Speed	350 RPM
Minimum Speed	100 RPM
Mechanical Efficiency (Bare Shaft)	90%
Lube System (Standard)	Splash - Gravity Feed
Lube System (Optional)	Force Feed
Lube Oil Capacity	16 quarts / 15.4 liters
Lube Oil Type	Petroleum per AGMA 5EP (ISO 220) or Synthetic per SAE 75W-90 (ISO 100)
Connection Sizes	3" NPT Suction 2" NPT Discharge

FLUID END

Cast Ductile Iron (65-45-12)
Cast Carbon Steel (WCB)
Cast Nickel Aluminium Bronze (955)
Cast Stainless Steel CF8M (316)
Cast Duplex SS CD3MN (2205)
Forged Carbon Steel (A105)
Forged Stainless Steel (316)

VALVES

DISC TYPE / SEAT (MAX. 2,160 PSI)	WING GUIDED
Delrin Disc / SS (316)	Ni-Al-Brz (955) / Metal-to-Metal
Delrin / Ni-Al-Brz (955)	Monel / Metal-to-Metal
Delrin / Duplex SS (CD4MCU)	SS (316) / Metal-to-Metal
SS (316) / SS (316)	17-4 HT Metal-to-Metal
Titanium / SS (316)	SS (316) / AR Urethane Inserted
PEEK / SS (316)	17-4 HT / AR Urethane Inserted

PLUNGERS

Colmonoy 730 Hard Coat
Solid Ceramic (2,160 Max. PSI)
Kerramic (Ceramic) Coated
Solid 316 Stainless Steel

* Consult Factory for Authorized Drawings for Dimensions

1) Displacement is based on 100% Volumetric Efficiency (VE)

2) Consult factory for operating speeds above maximum shown

3) 1 US gallon = 3.78541 liters

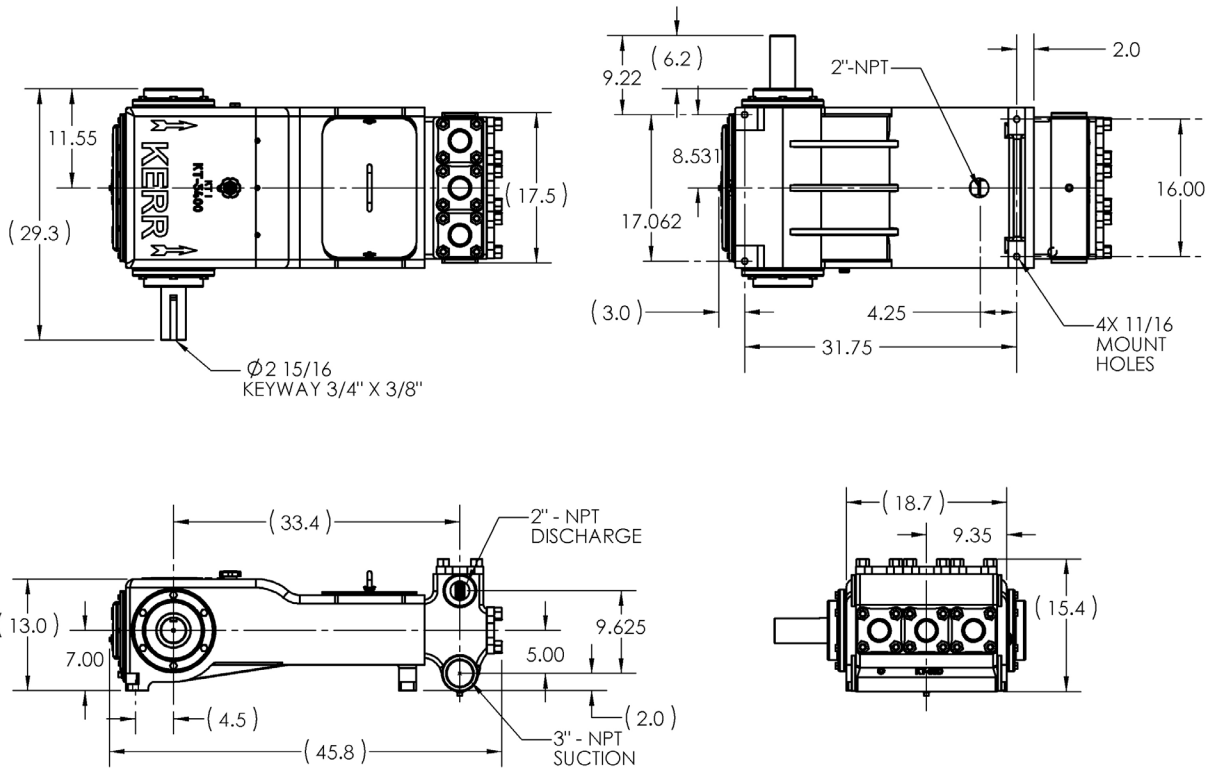
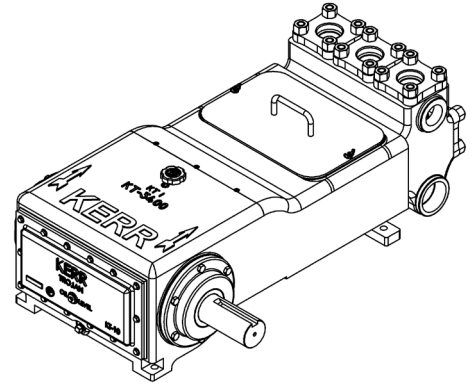
KERR

PUMPS

KT-3400

78.5 BHP Triplex Plunger Pump

Continuous Duty



PLGR DIA. INCHES	MAX PRESS PSI	DISP GAL PER REV	DISPLACEMENT																	
			100 RPM		150 RPM		200 RPM		250 RPM		275 RPM		310 RPM		325 RPM		350 RPM		385 RPM	
			GPM	BPD	GPM	BPD	GPM	BPD	GPM	BPD	GPM	BPD	GPM	BPD	GPM	BPD	GPM	BPD	GPM	BPD
2.000	1927	0.1632	16.3	560	24.5	840	32.6	1120	40.8	1399	44.9	1539	50.6	1735	53.0	1819	57.1	1959	62.8	2155
2.250	1523	0.2065	20.7	708	31.0	1063	41.3	1417	51.6	1771	56.8	1948	64.0	2196	67.1	2303	72.3	2480	79.5	2728
2.500	1234	0.2550	25.5	875	38.2	1312	51.0	1749	63.7	2187	70.1	2405	79.0	2711	82.9	2843	89.2	3061	98.2	3367
2.750	1019	0.3085	30.9	1058	46.3	1587	61.7	2117	77.1	2646	84.9	2910	95.7	3281	100	3440	108	3704	119	4075
3.000	857	0.3672	36.7	1259	55.1	1889	73.4	2519	91.8	3149	101	3464	114	3904	119	4093	129	4408	141	4849

* Consult Factory for Authorized Drawings for Dimensions

1) Displacement is based on 100% Volumetric Efficiency (VE)

2) Consult factory for operating speeds above maximum shown

3) 1 US gallon = 3.78541 liters