

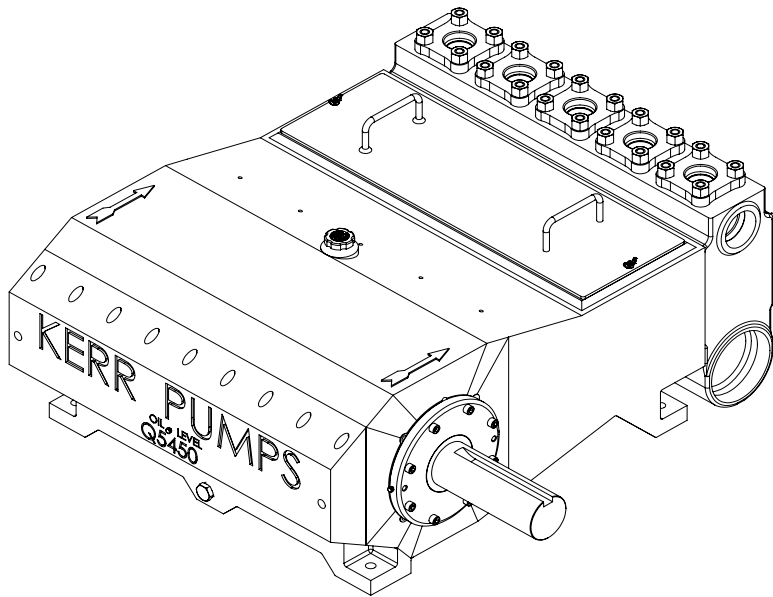
# KERR

## PUMPS

### Q45M

277 BHP Quintuplex Plunger Pump

Continuous Duty



### SPECIFICATIONS

|                                    |  |
|------------------------------------|--|
| Configuration                      | Horizontal Quintuplex Plunger  |
| Number of Plungers                 | 5  |
| Stroke Length                      | 4.5" / 114.3 mm  |
| Frame Load Rating                  | 11,900 lbs   |
| Fluid Cylinder Pressure Rating     | 2,160 PSI  |
| Pump Weight (Avg.)                 | 4,100 lbs / 1,860 kilos  |
| Kerr Max Speed                     | 390 RPM  |
| API-674 Max Speed                  | 330 RPM  |
| Minimum Speed                      | 100 RPM  |
| Mechanical Efficiency (Bare Shaft) | 90%  |
| Lube System (Standard)             | Splash - Gravity Feed  |
| Lube System (Optional)             | Force Feed   |
| Lube Oil Capacity                  | 22.5 gallons / 85.2 liters   |
| Lube Oil Type                      | Petroleum per AGMA 5EP (ISO 220) or Synthetic per SAE 75W-90 (ISO 100) |
| Connection Sizes                   | 6" NPT Suction<br>3" NPT Discharge                                     |

### FLUID END

|                                    |
|------------------------------------|
| Cast Carbon Steel (WCB)            |
| Cast Nickel Aluminium Bronze (955) |
| Cast Stainless Steel CF8M (316)    |
| Cast Duplex SS CD3MN (2205)        |
| Forged Carbon Steel (A105)         |
| Forged Stainless Steel (316)       |

### VALVES

|                                   |  |
|-----------------------------------|--|
| DISC TYPE / SEAT (MAX. 2,160 PSI) |  |
| Delrin Disc / SS (316)            |  |
| Delrin / Ni-Al-Brz (955)          |  |
| Delrin / Duplex SS (CD4MCU)       |  |
| SS (316) / SS (316)               |  |
| Titanium / SS (316)               |  |
| PEEK / SS (316)                   |  |

### PLUNGERS

|                                |
|--------------------------------|
| Colmonoy 730 Hard Coat         |
| Solid Ceramic (2,160 Max. PSI) |
| Kerramic (Ceramic) Coated      |
| Solid 316 Stainless Steel      |
|                                |
|                                |
|                                |

\* Consult Factory for Authorized Drawings for Dimensions

1) Displacement is based on 100% Volumetric Efficiency (VE)

2) Consult factory for operating speeds above maximum shown

3) 1 US gallon = 3.78541 liters

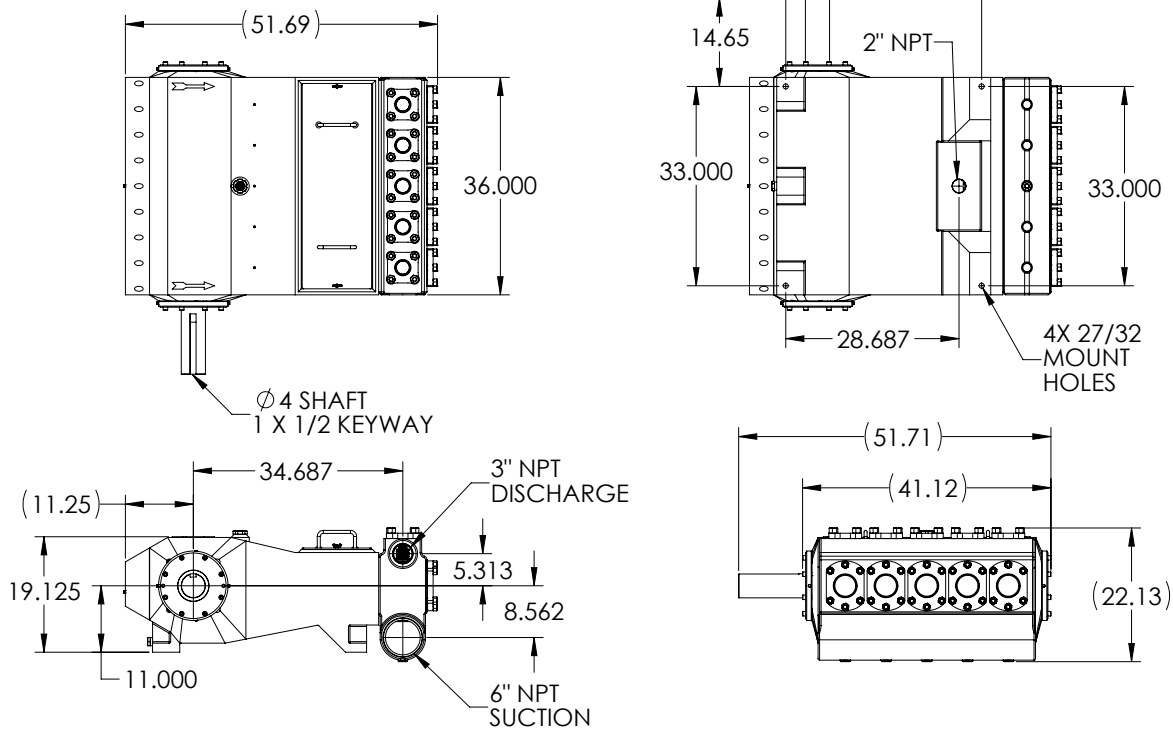
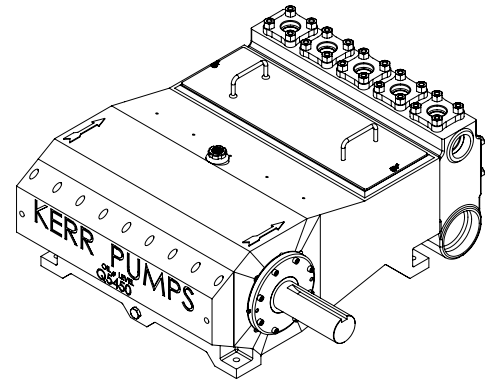
# KERR

## PUMPS

### Q45M

### 277 BHP Quintuplex Plunger Pump

Continuous Duty



| PLGR DIA. INCHES | MAX PRESS PSI | DISP GAL PER REV | DISPLACEMENT |      |         |      |         |       |         |       |         |       |         |       |         |       |         |       |         |       |
|------------------|---------------|------------------|--------------|------|---------|------|---------|-------|---------|-------|---------|-------|---------|-------|---------|-------|---------|-------|---------|-------|
|                  |               |                  | 100 RPM      |      | 150 RPM |      | 200 RPM |       | 250 RPM |       | 275 RPM |       | 310 RPM |       | 330 RPM |       | 350 RPM |       | 390 RPM |       |
|                  |               |                  | GPM          | BPD  | GPM     | BPD  | GPM     | BPD   | GPM     | BPD   | GPM     | BPD   | GPM     | BPD   | GPM     | BPD   | GPM     | BPD   | GPM     | BPD   |
| 2.625            | 2160          | 0.5271           | 52.7         | 1808 | 79.1    | 2712 | 105     | 3616  | 132     | 4520  | 145     | 4972  | 163     | 5605  | 174     | 5967  | 184     | 6328  | 206     | 7051  |
| 2.750            | 2004          | 0.5785           | 57.9         | 1984 | 86.8    | 2977 | 116     | 3969  | 145     | 4961  | 159     | 5457  | 179     | 6152  | 191     | 6548  | 202     | 6945  | 226     | 7739  |
| 3.000            | 1684          | 0.6885           | 68.8         | 2362 | 103     | 3542 | 138     | 4723  | 172     | 5904  | 189     | 6494  | 213     | 7321  | 227     | 7793  | 241     | 8265  | 269     | 9210  |
| 3.250            | 1434          | 0.8080           | 80.8         | 2772 | 121     | 4157 | 162     | 5543  | 202     | 6929  | 222     | 7622  | 250     | 8592  | 267     | 9146  | 283     | 9700  | 315     | 10809 |
| 3.500            | 1237          | 0.9371           | 93.7         | 3214 | 141     | 4821 | 187     | 6429  | 234     | 8036  | 258     | 8839  | 291     | 9964  | 309     | 10607 | 328     | 11250 | 365     | 12536 |
| 3.750            | 1077          | 1.0758           | 108          | 3690 | 161     | 5535 | 215     | 7380  | 269     | 9225  | 296     | 10147 | 333     | 11439 | 355     | 12177 | 377     | 12915 | 420     | 14391 |
| 4.000            | 947           | 1.2240           | 122          | 4198 | 184     | 6297 | 245     | 8397  | 306     | 10496 | 337     | 11545 | 379     | 13015 | 404     | 13854 | 428     | 14694 | N/A     |       |
| 4.250            | 839           | 1.3818           | 138          | 4739 | 207     | 7109 | 276     | 9479  | 345     | 11849 | 380     | 13034 | 428     | 14692 | N/A     |       | N/A     |       | N/A     |       |
| 4.500            | 748           | 1.5491           | 155          | 5313 | 232     | 7970 | 310     | 10627 | 387     | 13284 | 426     | 14612 | N/A     |       | N/A     |       | N/A     |       | N/A     |       |

\* Consult Factory for Authorized Drawings for Dimensions

1) Displacement is based on 100% Volumetric Efficiency (VE)

2) Consult factory for operating speeds above maximum shown

3) 1 US gallon = 3.78541 liters