

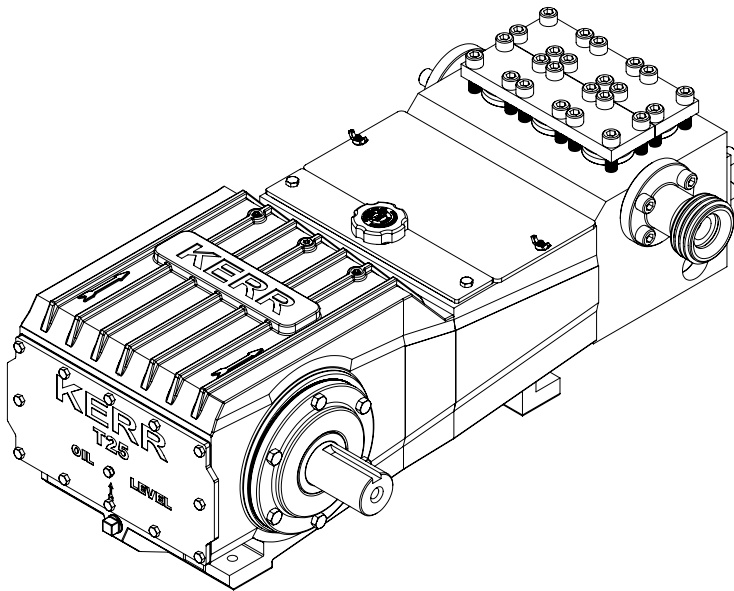
KERR

PUMPS

T25H

31.8 BHP Triplex Plunger Pump

Continuous Duty



SPECIFICATIONS

Configuration	Horizontal Triplex Plunger
Number of Plungers	3
Stroke Length	2.5" / 63.5 mm
Frame Load Rating	3,250 lbs
Fluid Cylinder Pressure Rating	15,000 PSI
Pump Weight (Avg.)	390 lbs / 180 kilos
Kerr Max Speed	465 RPM
API 674 Max Speed	425 RPM
Minimum Speed	100 RPM
Mechanical Efficiency (Bare Shaft)	90%
Lube System (Standard)	Splash- Gravity Feed
Lube System (Optional)	Force Feed
Lube Oil Capacity	5 quarts / 4.73 liters
Lube Oil Type	Petroleum per AGMA 5EP (ISO 220) or Synthetic per SAE 75W-90 (ISO 100)
Connection Sizes	1 1/4" NPT Suction 2" Half Union Discharge

FLUID END

Forged Carbon Steel (A105)
Forged Stainless Steel (316)
Other materials available on request

PLUNGERS

Colmonoy 730 Hard Coat
Solid Ceramic (2,160 Max. PSI)
Kerramic (Ceramic) Coated
Solid 316 Stainless Steel

VALVES

BALL VALVE / SEAT MATERIAL	
Stanalloy / Stanalloy (440 SS)	
Sheralloy / Seralloy (Cobalt Base)	

* Consult Factory for Authorized Drawings for Dimensions

1) Displacement is based on 100% Volumetric Efficiency (VE)

2) Consult factory for operating speeds above maximum shown

3) 1 US gallon = 3.78541 liters

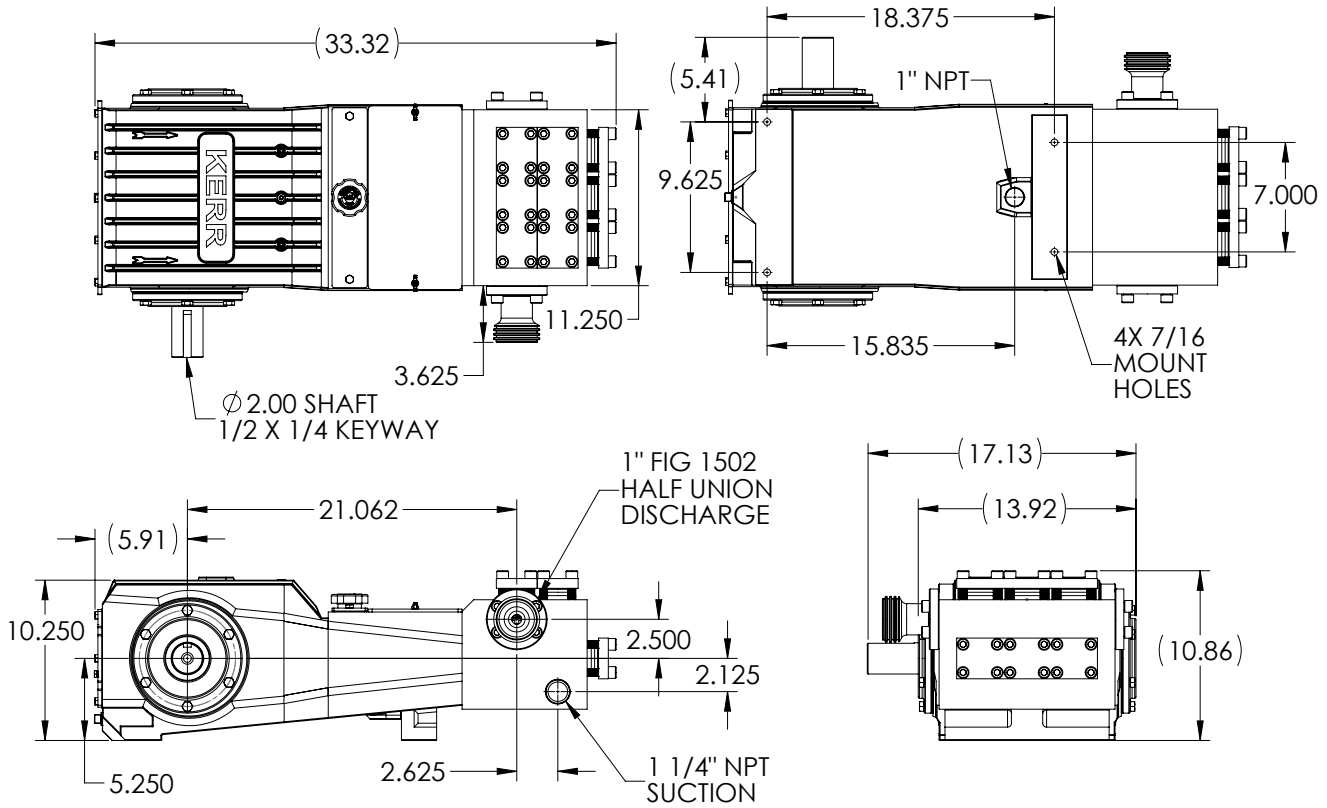
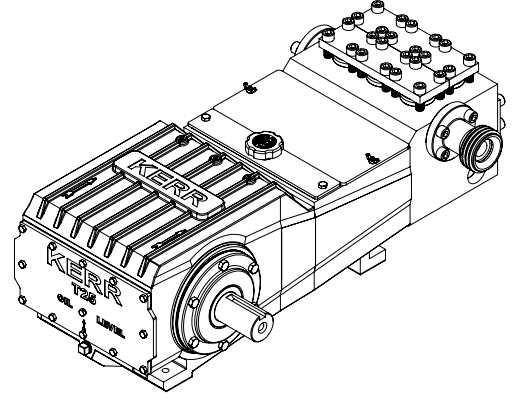
KERR

PUMPS

T25H

31.8 BHP Triplex Plunger Pump

Continuous Duty



PLGR DIA. INCHES	MAX PRESS PSI	DISP GAL PER REV	DISPLACEMENT																	
			100 RPM		175 RPM		250 RPM		325 RPM		350 RPM		375 RPM		400 RPM		425 RPM		465 RPM	
			GPM	BPD	GPM	BPD	GPM	BPD	GPM	BPD	GPM	BPD	GPM	BPD	GPM	BPD	GPM	BPD	GPM	BPD
0.625	10593	0.0100	1.0	34	1.7	60	2.5	85	3.2	111	3.5	120	3.7	128	4.0	137	4.2	145	4.6	159
0.750	7357	0.0143	1.4	49	2.5	86	3.6	123	4.7	160	5.0	172	5.4	184	5.7	197	6.1	209	6.7	229
0.875	5405	0.0195	2.0	67	3.4	117	4.9	167	6.3	218	6.8	234	7.3	251	7.8	268	8.3	285	9.1	311
1.000	4138	0.0255	2.5	87	4.5	153	6.4	219	8.3	284	8.9	306	9.6	328	10.2	350	10.8	372	11.9	407
1.250	2648	0.0398	4.0	137	7.0	239	10.0	342	12.9	444	13.9	478	14.9	512	15.9	547	16.9	581	18.5	635

* Consult Factory for Authorized Drawings for Dimensions

1) Displacement is based on 100% Volumetric Efficiency (VE)

2) Consult factory for operating speeds above maximum shown

3) 1 US gallon = 3.78541 liters