

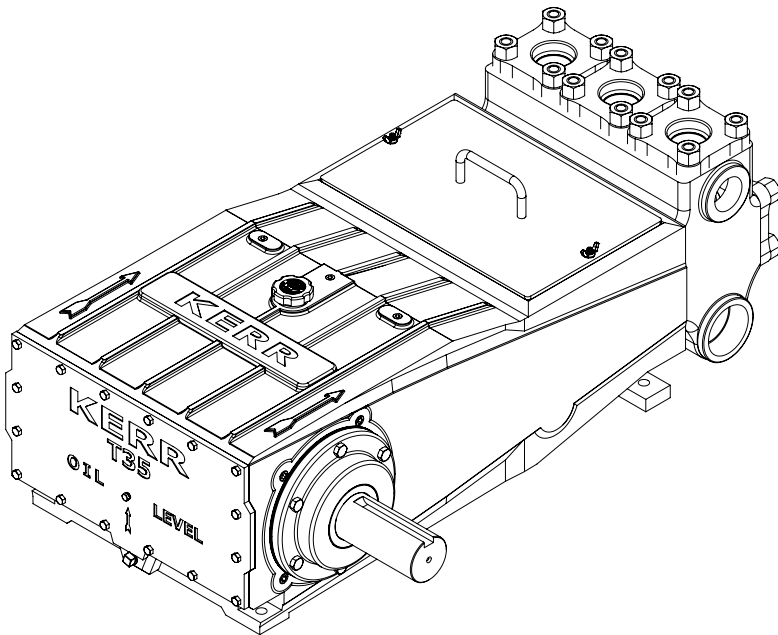
# KERR

## PUMPS

### T35M

79.7 BHP Triplex Plunger Pump

Continuous Duty



### SPECIFICATIONS

Configuration	Horizontal Triplex Plunger
Number of Plungers	3
Stroke Length	3.500" / 89 mm
Frame Load Rating	9073 lbs
Fluid Cylinder Pressure Rating	2,160 PSI
Pump Weight (Avg.)	1350 lbs / 613 kilos
Kerr Max Speed	400 RPM
API 674 Max Speed	375 RPM
Minimum Speed	100 RPM
Mechanical Efficiency (Bare Shaft)	90%
Lube System (Standard)	Splash- Gravity Feed
Lube System (Optional)	Force Feed
Lube Oil Capacity	21 quarts / 20.2 liters
Lube Oil Type	Petroleum per AGMA 5EP (ISO 220) or Synthetic per SAE 75W-90 (ISO 100)
Connection Sizes	3" NPT Suction 2" NPT Discharge

### FLUID END

Cast Ductile Iron (65-45-12)
Cast Carbon Steel (WCB)
Cast Nickel Aluminium Bronze (955)
Cast Stainless Steel CF8M (316)
Cast Duplex SS CD3MN (2205)
Forged Carbon Steel (A105)
Forged Stainless Steel (316)

### VALVES

DISC TYPE / SEAT (MAX. 2,160 PSI)	WING GUIDED
Delrin Disc / SS (316)	Ni-Al-Brz (955) / Metal-to-Metal
Delrin / Ni-Al-Brz (955)	Monel / Metal-to-Metal
Delrin / Duplex SS (CD4MCU)	SS (316) / Metal-to-Metal
SS (316) / SS (316)	17-4 HT Metal-to-Metal
Titanium / SS (316)	SS (316) / AR Urethane Inserted
PEEK / SS (316)	17-4 HT / AR Urethane Inserted

### PLUNGERS

Colmonoy 730 Hard Coat
Solid Ceramic (2,160 Max. PSI)
Kerramic (Ceramic) Coated
Solid 316 Stainless Steel

\* Consult Factory for Authorized Drawings for Dimensions

1) Displacement is based on 100% Volumetric Efficiency (VE)

2) Consult factory for operating speeds above maximum shown

3) 1 US gallon = 3.78541 liters

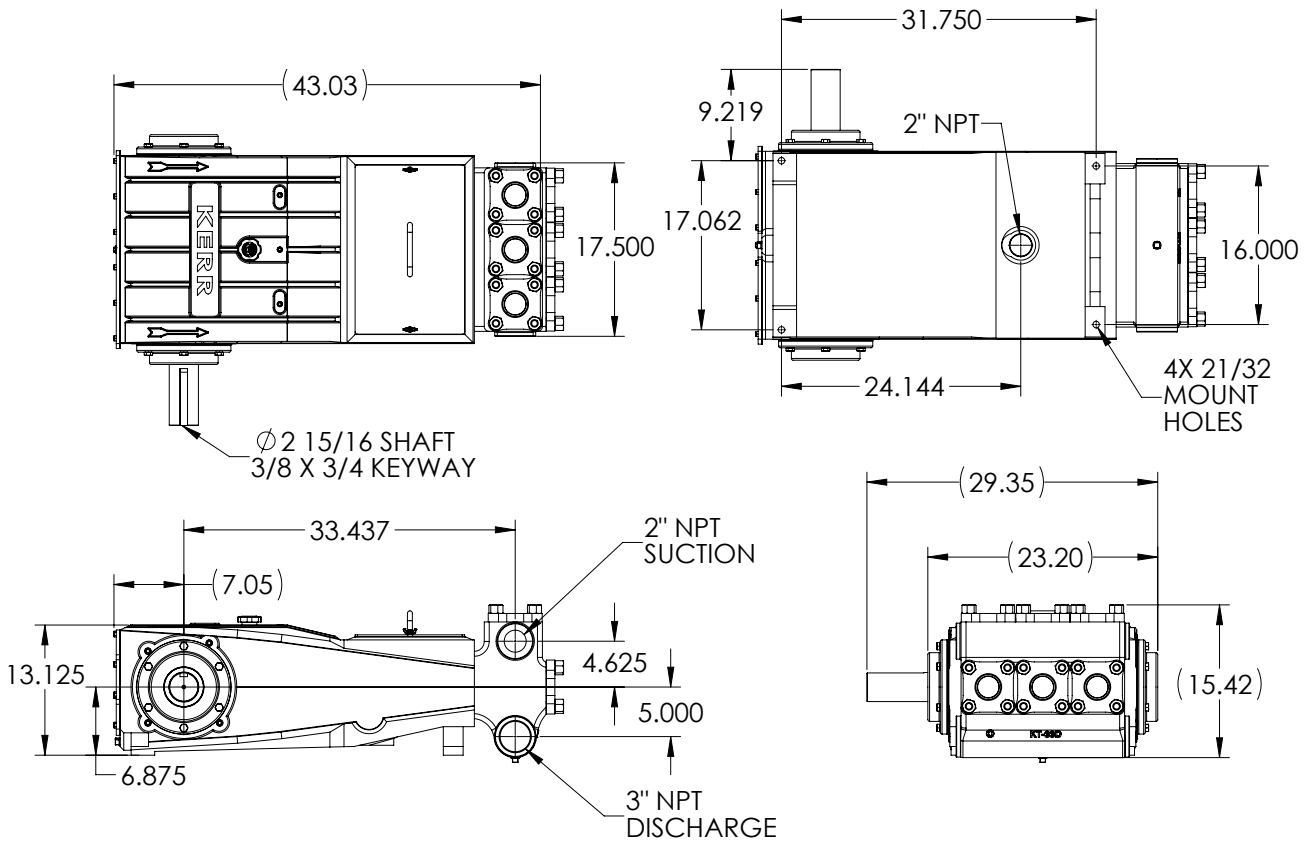
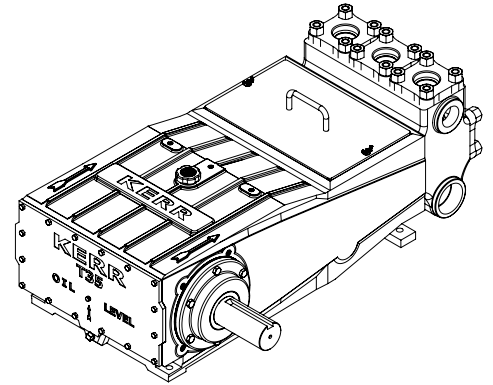
# KERR

## PUMPS

### T35M

79.7 BHP Triplex Plunger Pump

Continuous Duty



PLGR DIA. INCHES	MAX PRESS PSI	DISP GAL PER REV	DISPLACEMENT																	
			100 RPM		150 RPM		200 RPM		250 RPM		300 RPM		325 RPM		350 RPM		375 RPM		400 RPM	
			GPM	BPD	GPM	BPD	GPM	BPD	GPM	BPD	GPM	BPD	GPM	BPD	GPM	BPD	GPM	BPD	GPM	BPD
2.000	2160	0.1428	14.3	490	21.4	735	28.6	980	35.7	1225	42.8	1469	46.4	1592	50.0	1714	53.5	1837	57.1	1959
2.250	2160	0.1807	18.1	620	27.1	930	36.1	1240	45.2	1550	54.2	1860	58.7	2015	63.3	2170	67.8	2325	72.3	2480
2.500	1848	0.2231	22.3	765	33.5	1148	44.6	1531	55.8	1913	66.9	2296	72.5	2487	78.1	2679	83.7	2870	89.2	3061
2.750	1528	0.2700	27.0	926	40.5	1389	54.0	1852	67.5	2315	81.0	2778	87.7	3010	94.5	3241	101.2	3473	108.0	3704
3.000	1284	0.3213	32.1	1102	48.2	1653	64.3	2204	80.3	2755	96.4	3306	104	3582	112	3857	120	4133	129	4408

\* Consult Factory for Authorized Drawings for Dimensions

1) Displacement is based on 100% Volumetric Efficiency (VE)

2) Consult factory for operating speeds above maximum shown

3) 1 US gallon = 3.78541 liters