

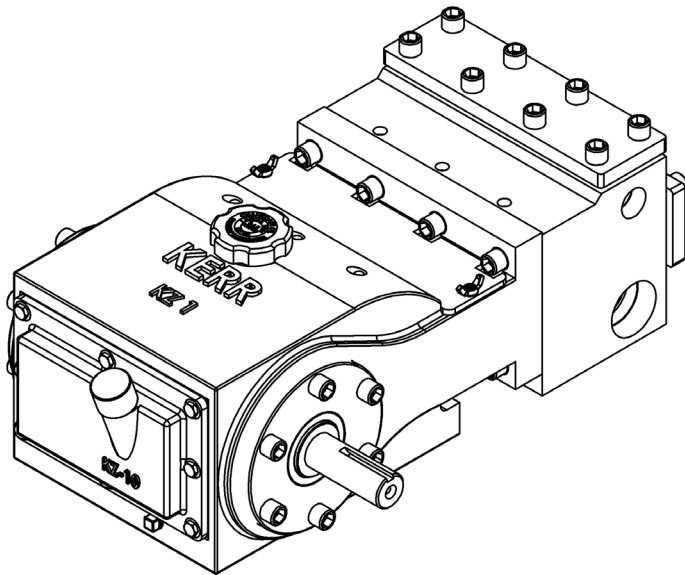
KERR

PUMPS

KZ-3150PT

16.7 BHP Triplex Piston Pump

Continuous Duty



KZ-3150 RH

SPECIFICATIONS

Configuration	Horizontal Triplex Piston
Number of Plungers	3
Stroke Length	1.5" / 38.1 mm
Frame Load Rating	1,842 lbs
Forged Fluid Cylinder Pressure Rating	3,960 PSI
Pump Weight (Avg.)	175 lbs / 80 kilos
Continuous Speed Rating	525 RPM
API-674 Max Recommended Speed	475 RPM
Minimum Speed	200 RPM
Mechanical Efficiency	90%
Lube System (Standard)	Splash
Lube System (Optional)	Force Feed
Lube Oil Capacity	2 quarts / 1.9 liters
Lube Oil Type	75W-90 / ISO 150
Connection Sizes	1 1/2" NPT Suction 3/4" NPT Discharge

FLUID END

Cast Ductile Iron
Cast Carbon Steel WCB
Cast Stainless Steel CF8M

PISTONS

HSN
Uron

VALVES

RADIUS TYPE	WING GUIDED
Delrin Disc / Stainless Steel Seat	Stainless Steel
Stainless Steel / SS Seat	17-4 HT
	Stainless Steel / AR

* Consult Factory for Authorized Drawings for Dimensions ~ Threaded or Flanged Connections Available
 * Flanges Available Only With Steel or Stainless Steel Fluid Ends
 1) Displacement is based on 100% Volumetric Efficiency (VE)
 2) BHP / KW is based on 90% Mechanical Efficiency (ME)
 3) Consult factory for operating speeds above maximum shown
 4) 1 US gallon = 3.78541 liters

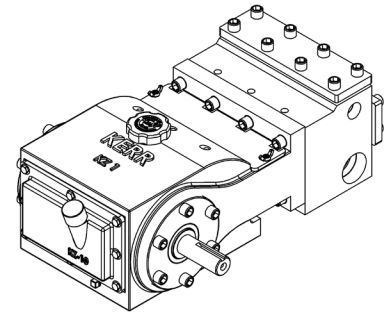
KERR

PUMPS

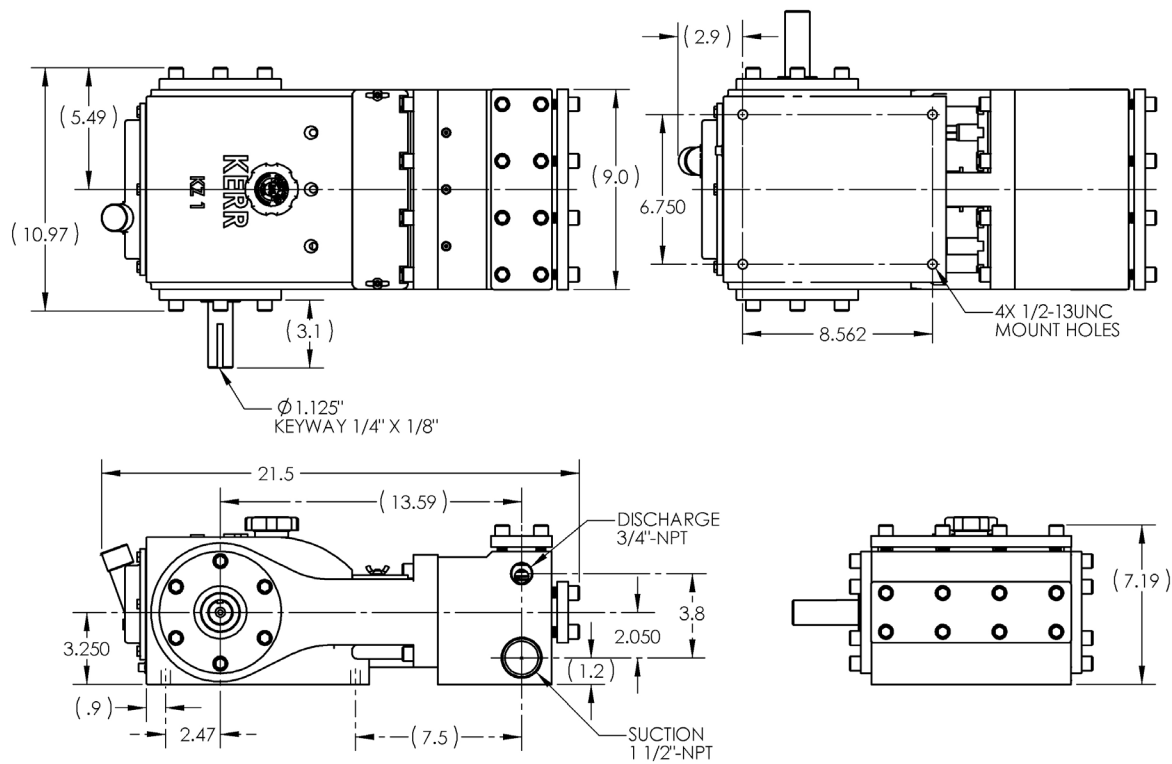
KZ-3150PT

16.7 BHP Triplex Plunger Pump

Continuous Duty



KZ-3150 RH



PLGR DIA. INCHES	MAX PRESS. PSI	DISP GAL PER REV	DISPLACEMENT																	
			100 RPM		200 RPM		250 RPM		325 RPM		375 RPM		425 RPM		475 RPM		525 RPM		575 RPM	
			GPM	BPD	GPM	BPD	GPM	BPD	GPM	BPD	GPM	BPD	GPM	BPD	GPM	BPD	GPM	BPD	GPM	BPD
1.500	1595	0.0344	3.4	118	6.9	236	8.6	295	11.2	384	12.9	443	14.6	502	16.4	561	18.1	620	19.8	679
1.750	1172	0.0469	4.7	161	9.4	321	11.7	402	15.2	522	17.6	603	19.9	683	22.3	763	24.6	844	26.9	924
1.875	1021	0.0538	5.4	184	10.8	369	13.4	461	17.5	600	20.2	692	22.9	784	25.5	876	28.2	969	30.9	1061

* Consult Factory for Authorized Drawings for Dimensions ~ Threaded or Flanged Connections Available

* Flanges Available Only With Steel or Stainless Steel Fluid Ends

1) Displacement is based on 100% Volumetric Efficiency (VE)

2) BHP / KW is based on 90% Mechanical Efficiency (ME)

3) Consult factory for operating speeds above maximum shown

4) 1 US gallon = 3.78541 liters