

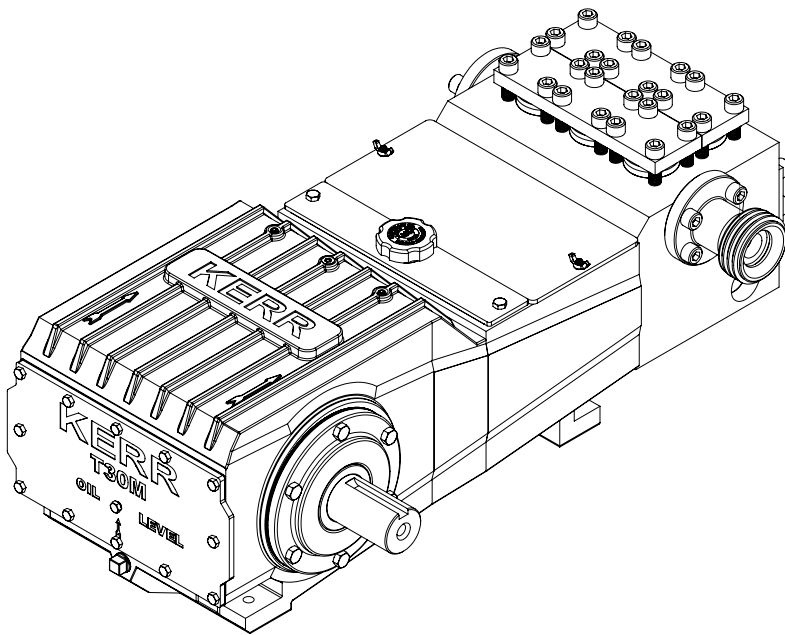
KERR

PUMPS

T30MH

35.7 BHP Triplex Plunger Pump

Continuous Duty



SPECIFICATIONS

Configuration	Horizontal Triplex Plunger
Number of Plungers	3
Stroke Length	3.000" / 76.2 mm
Frame Load Rating	3,250 lbs
Fluid Cylinder Pressure Rating	15,000 PSI
Pump Weight (Avg.)	390 lbs / 180 kilos
Kerr Max Speed	435 RPM
API 674 Max Speed	400 RPM
Minimum Speed	100 RPM
Mechanical Efficiency (Bare Shaft)	90%
Lube System (Standard)	Splash- Gravity Feed
Lube System (Optional)	Force Feed
Lube Oil Capacity	5 quarts / 4.73 liters
Lube Oil Type	Petroleum per AGMA 5EP (ISO 220) or Synthetic per SAE 75W-90 (ISO 100)
Connection Sizes	1 1/4" NPT Suction 1" 1502 Half Union Discharge

FLUID END

Forged Carbon Steel (A105)
Forged Stainless Steel (316)
Other materials available on request

PLUNGERS

Colmonoy 730 Hard Coat
Solid Ceramic (2,160 Max. PSI)
Kerramic (Ceramic) Coated
Solid 316 Stainless Steel

VALVES

BALL VALVE / SEAT MATERIAL	
Stanalloy / Stanalloy (440 SS)	
Sheralloy / Seralloy (Cobalt Base)	

* Consult Factory for Authorized Drawings for Dimensions

1) Displacement is based on 100% Volumetric Efficiency (VE)

2) Consult factory for operating speeds above maximum shown

3) 1 US gallon = 3.78541 liters

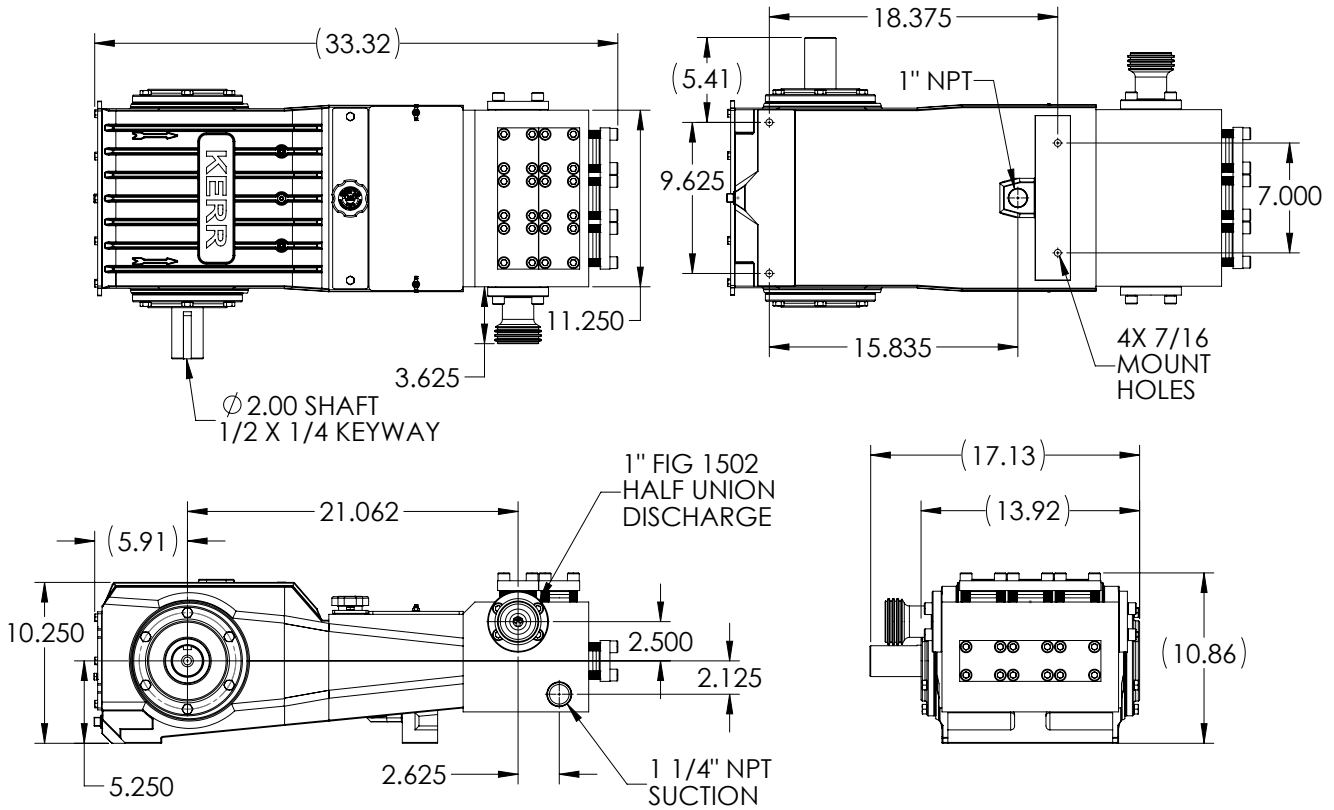
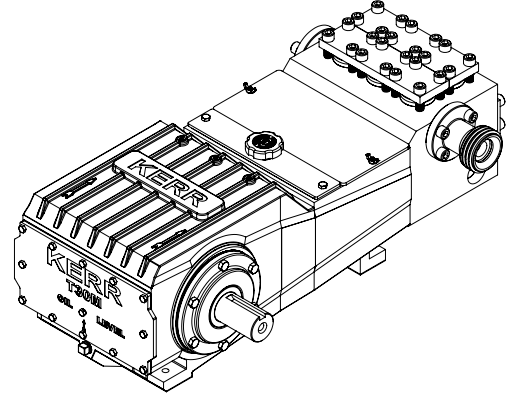
KERR

PUMPS

T30MH

35.7 BHP Triplex Plunger Pump

Continuous Duty



PLGR DIA. INCHES	MAX PRESS PSI	DISP GAL PER REV	DISPLACEMENT																	
			100 RPM		150 RPM		200 RPM		250 RPM		300 RPM		350 RPM		375 RPM		400 RPM		435 RPM	
			GPM	BPD	GPM	BPD	GPM	BPD	GPM	BPD	GPM	BPD	GPM	BPD	GPM	BPD	GPM	BPD	GPM	BPD
0.625	10593	0.0120	1.2	41	1.8	61	2.4	82	3.0	102	3.6	123	4.2	143	4.5	154	4.8	164	5.2	178
0.750	7357	0.0172	1.7	59	2.6	89	3.4	118	4.3	148	5.2	177	6.0	207	6.5	221	6.9	236	7.5	257
0.875	5405	0.0234	2.3	80	3.5	121	4.7	161	5.9	201	7.0	241	8.2	281	8.8	301	9.4	321	10.2	350
1.000	4138	0.0306	3.1	105	4.6	157	6.1	210	7.6	262	9.2	315	10.7	367	11.5	394	12.2	420	13.3	457
1.250	2648	0.0478	4.8	164	7.2	246	9.6	328	12.0	410	14.3	492	16.7	574	17.9	615	19.1	656	20.8	713

* Consult Factory for Authorized Drawings for Dimensions

1) Displacement is based on 100% Volumetric Efficiency (VE)

2) Consult factory for operating speeds above maximum shown

3) 1 US gallon = 3.78541 liters