

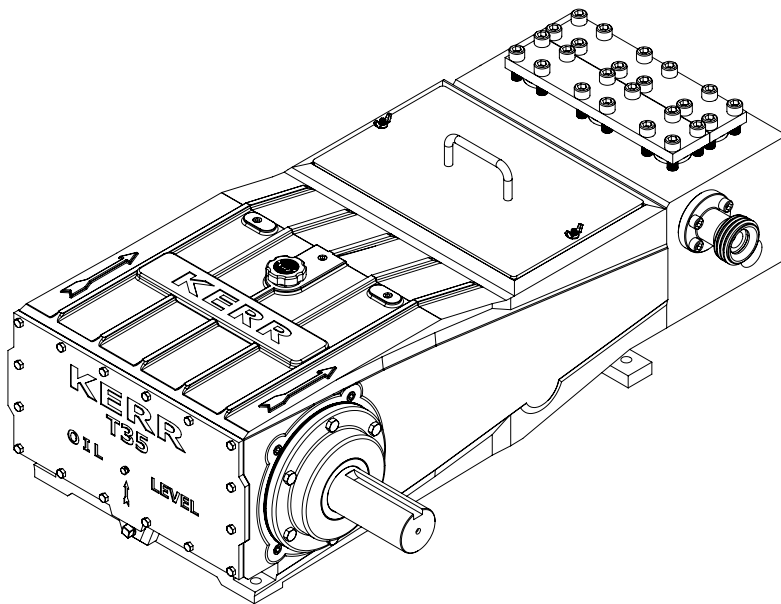
KERR

PUMPS

T35H

107 BHP Triplex Plunger Pump

Continuous Duty



SPECIFICATIONS

Configuration	Horizontal Triplex Plunger
Number of Plungers	3
Stroke Length	3.500" / 89 mm
Frame Load Rating	9,073 lbs
Fluid Cylinder Pressure Rating	15,000 PSI
Pump Weight (Avg.)	1200 lbs / 545 kilos
Kerr Max Speed	400 RPM
API 674 Max Speed	375 RPM
Minimum Speed	100 RPM
Mechanical Efficiency (Bare Shaft)	90%
Lube System (Standard)	Splash- Gravity Feed
Lube System (Optional)	Force Feed
Lube Oil Capacity	21 quarts / 20.2 liters
Lube Oil Type	Petroleum per AGMA 5EP (ISO 220) or Synthetic per SAE 75W-90 (ISO 100)
Connection Sizes	1 1/2" NPT Suction 1" 1502 Half Union Discharge

FLUID END

Forged Carbon Steel (A105)
Forged Stainless Steel (316)
Other materials available on request

PLUNGERS

Colmonoy 730 Hard Coat
Solid Ceramic (2,160 Max. PSI)
Kerramic (Ceramic) Coated
Solid 316 Stainless Steel

VALVES

BALL VALVE / SEAT MATERIAL	
Stanalloy / Stanalloy (440 SS)	
Sheralloy / Seralloy (Cobalt Base)	

* Consult Factory for Authorized Drawings for Dimensions

1) Displacement is based on 100% Volumetric Efficiency (VE)

2) Consult factory for operating speeds above maximum shown

3) 1 US gallon = 3.78541 liters

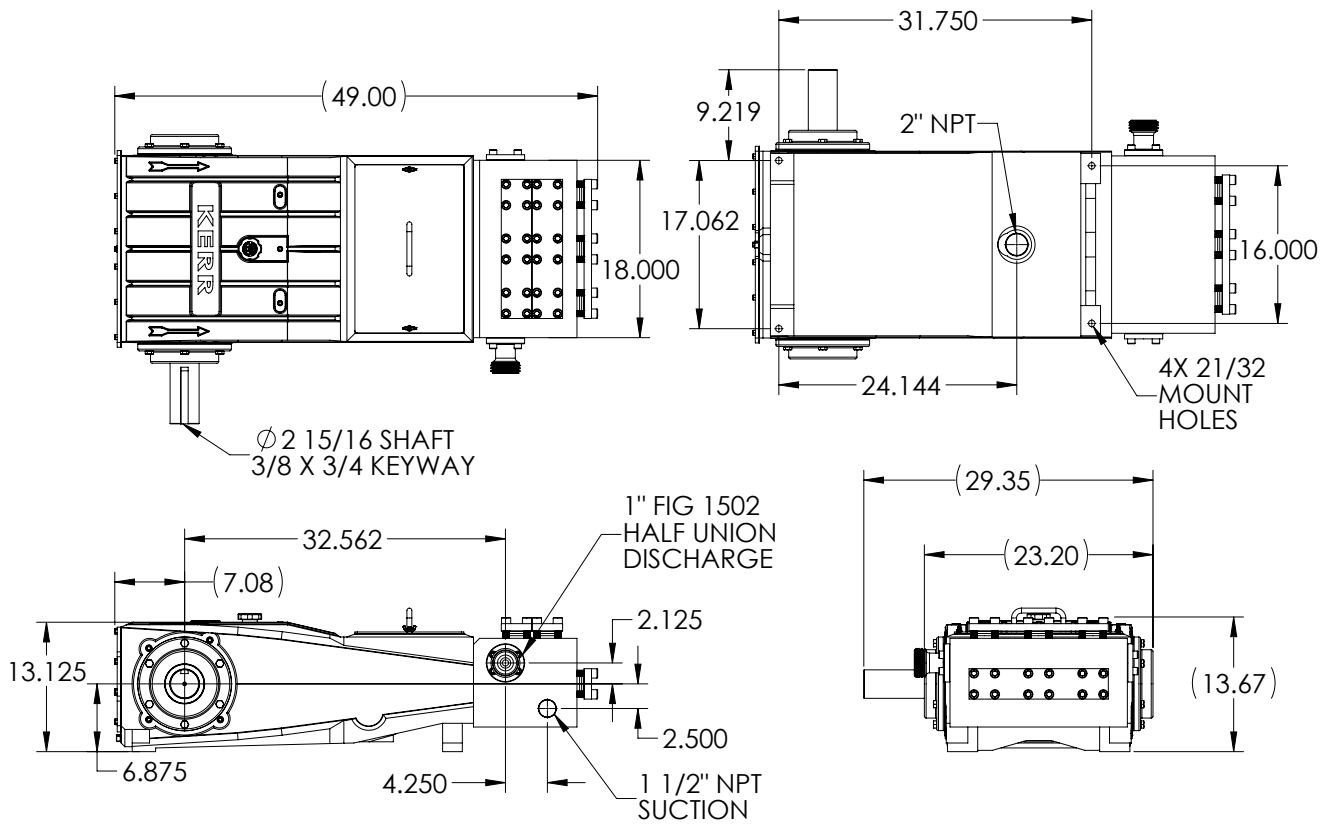
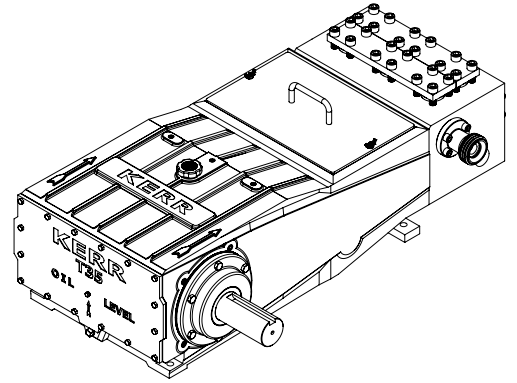
KERR

PUMPS

T35H

107 BHP Triplex Plunger Pump

Continuous Duty



PLGR DIA. INCHES	MAX PRESS PSI	DISP GAL PER REV	DISPLACEMENT																	
			100 RPM		150 RPM		200 RPM		250 RPM		300 RPM		325 RPM		350 RPM		375 RPM		400 RPM	
			GPM	BPD	GPM	BPD	GPM	BPD	GPM	BPD	GPM	BPD	GPM	BPD	GPM	BPD	GPM	BPD	GPM	BPD
0.875	15000	0.0273	2.7	94	4.1	141	5.5	188	6.8	234	8.2	281	8.9	305	9.6	328	10.2	352	10.9	375
1.000	11552	0.0357	3.6	122	5.4	184	7.1	245	8.9	306	10.7	367	11.6	398	12.5	429	13.4	459	14.3	490
1.250	7393	0.0558	5.6	191	8.4	287	11.2	383	13.9	478	16.7	574	18.1	622	19.5	670	20.9	717	22.3	765

* Consult Factory for Authorized Drawings for Dimensions

1) Displacement is based on 100% Volumetric Efficiency (VE)

2) Consult factory for operating speeds above maximum shown

3) 1 US gallon = 3.78541 liters