

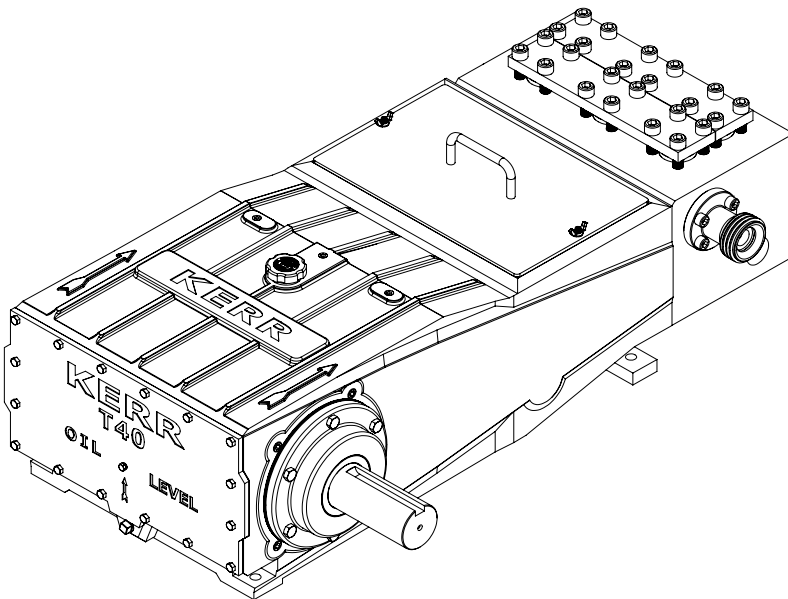
# KERR

## PUMPS

### T40H

118 BHP Triplex Plunger Pump

Continuous Duty



### SPECIFICATIONS

Configuration	Horizontal Triplex Plunger
Number of Plungers	3
Stroke Length	4.000" / 101.6 mm
Frame Load Rating	9073 lbs
Fluid Cylinder Pressure Rating	15,000 PSI
Pump Weight (Avg.)	1200 lbs / 545 kilos
Kerr Max Speed	385 RPM
API 674 Max Speed	350 RPM
Minimum Speed	100 RPM
Mechanical Efficiency (Bare Shaft)	90%
Lube System (Standard)	Splash- Gravity Feed
Lube System (Optional)	Force Feed
Lube Oil Capacity	21 quarts / 20.2 liters
Lube Oil Type	Petroleum per AGMA 5EP (ISO 220) or Synthetic per SAE 75W-90 (ISO 100)
Connection Sizes	1 1/2" NPT Suction 1" 1502 Half Union Discharge

### FLUID END

Forged Carbon Steel (A105)
Forged Stainless Steel (316)
Other materials available on request

### PLUNGERS

Colmonoy 730 Hard Coat
Solid Ceramic (2,160 Max. PSI)
Kerramic (Ceramic) Coated
Solid 316 Stainless Steel

### VALVES

BALL VALVE / SEAT MATERIAL	
Stanalloy / Stanalloy (440 SS)	
Sheralloy / Sheralloy (Cobalt Base)	

\* Consult Factory for Authorized Drawings for Dimensions

1) Displacement is based on 100% Volumetric Efficiency (VE)

2) Consult factory for operating speeds above maximum shown

3) 1 US gallon = 3.78541 liters

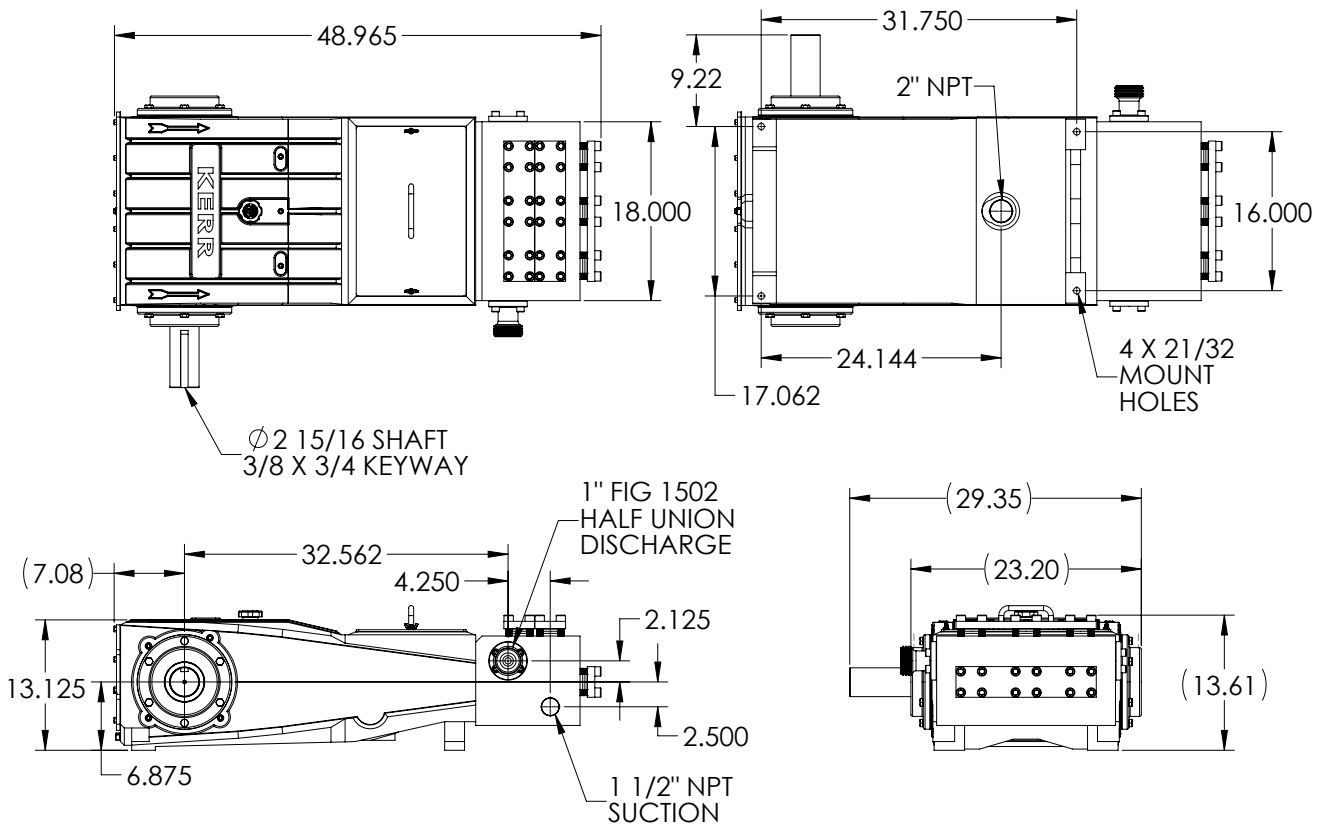
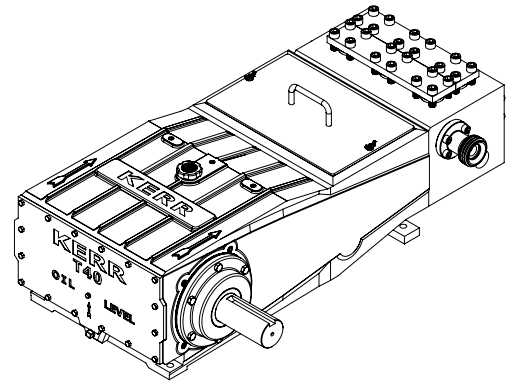
# KERR

## PUMPS

### T40H

118 BHP Triplex Plunger Pump

Continuous Duty



PLGR DIA. INCHES	MAX PRESS. PSI	DISP GAL PER REV	DISPLACEMENT																	
			100 RPM		150 RPM		200 RPM		250 RPM		275 RPM		310 RPM		325 RPM		350 RPM		385 RPM	
			GPM	BPD	GPM	BPD	GPM	BPD	GPM	BPD	GPM	BPD	GPM	BPD	GPM	BPD	GPM	BPD	GPM	BPD
0.875	15000	0.0312	3.1	107	4.7	161	6.2	214	7.8	268	8.6	295	9.7	332	10.2	348	10.9	375	12.0	413
1.000	11552	0.0408	4.1	140	6.1	210	8.2	280	10.2	350	11.2	385	12.6	434	13.3	455	14.3	490	15.7	539
1.250	7393	0.0637	6.4	219	9.6	328	12.7	437	15.9	547	17.5	601	19.8	678	20.7	711	22.3	765	24.5	842

\* Consult Factory for Authorized Drawings for Dimensions

1) Displacement is based on 100% Volumetric Efficiency (VE)

2) Consult factory for operating speeds above maximum shown

3) 1 US gallon = 3.78541 liters