

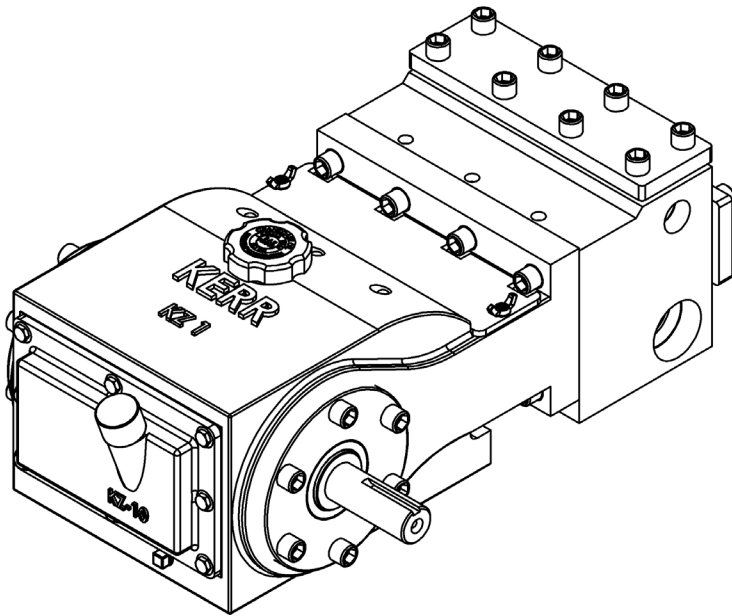
KERR

PUMPS

KZ-3150PT

16.7 BHP Triplex Piston Pump

Intermittent Duty



KZ-3150 RH

SPECIFICATIONS

Configuration	Horizontal Triplex Piston
Number of Plungers	3
Stroke Length	1.5" / 38.1 mm
Frame Load Rating	2,818.26 lbs
Fluid Cylinder Pressure Rating	2,160 PSI
Pump Weight (Avg.)	175 lbs / 80 kilos
Kerr Max Speed	575 RPM
Minimum Speed	100 RPM
Mechanical Efficiency (Bare Shaft)	90%
Lube System (Standard)	Splash - Gravity Feed
Lube System (Optional)	Force Feed
Lube Oil Capacity	2 quarts / 1.9 liters
Lube Oil Type	SAE 30W Non-Detergant Motor Oil
Connection Sizes	1 1/2" NPT Suction 3/4" NPT Discharge

FLUID END

Cast Ductile Iron
Other materials available on request

VALVES

RADIUS VALVE / SEAT	
Delrin / SS (316)	
SS (316) / SS (316)	

PISTONS / LINERS

Rubber / Ceramic Sleeved
Rubber / Chrome Plated-Sleeved
Rubber / Kerramic (Ceramic) Coat
Run-Dry / Ceramic Sleeved
Run-Dry / Chrome Plated-Sleeved
Run-Dry / Kerramic (Ceramic) Coat
HSN / Ceramic Sleeved
HSN / Chrome Plated-Sleeved
HSN / Kerramic (Ceramic) Coat

* Consult Factory for Authorized Drawings for Dimensions

1) Displacement is based on 100% Volumetric Efficiency (VE)

2) Consult factory for operating speeds above maximum shown

3) 1 US gallon = 3.78541 liters

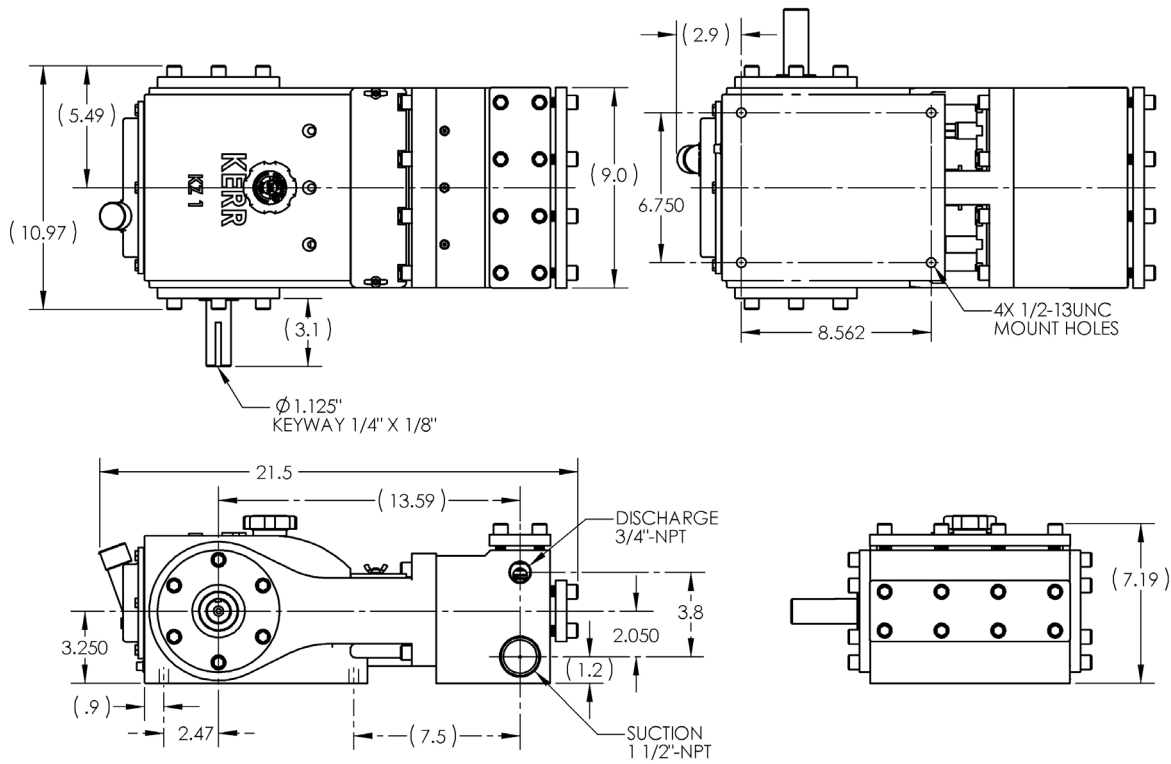
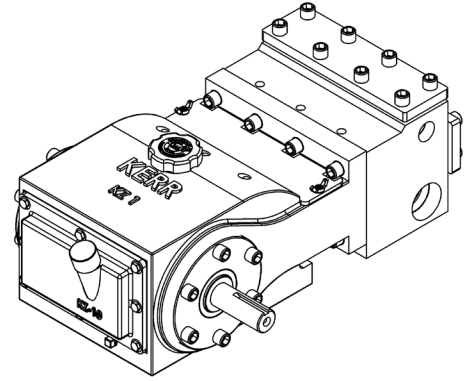
KERR

PUMPS

KZ-3150PT

16.7 BHP Triplex Piston Pump

Intermittent Duty



PIST. DIA. INCHES	MAX PRESS PSI	DISP GAL PER REV	DISPLACEMENT																	
			100 RPM		200 RPM		250 RPM		325 RPM		375 RPM		425 RPM		475 RPM		525 RPM		575 RPM	
			GPM	BPD	GPM	BPD	GPM	BPD	GPM	BPD	GPM	BPD	GPM	BPD	GPM	BPD	GPM	BPD	GPM	BPD
1.500	1595	0.0344	3.4	118	6.9	236	8.6	295	11.2	384	12.9	443	14.6	502	16.4	561	18.1	620	19.8	679
1.750	1172	0.0469	4.7	161	9.4	321	11.7	402	15.2	522	17.6	603	19.9	683	22.3	763	24.6	844	26.9	924
1.875	1021	0.0538	5.4	184	10.8	369	13.4	461	17.5	600	20.2	692	22.9	784	25.5	876	28.2	969	30.9	1061

* Consult Factory for Authorized Drawings for Dimensions

1) Displacement is based on 100% Volumetric Efficiency (VE)

2) Consult factory for operating speeds above maximum shown

3) 1 US gallon = 3.78541 liters