

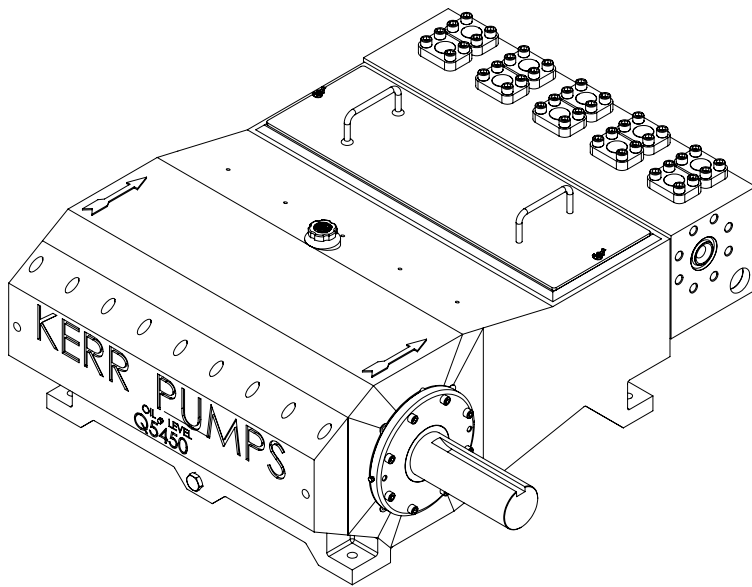
# KERR

## PUMPS

### Q45H

293 BHP Quintuplex Plunger Pump

Continuous Duty



### SPECIFICATIONS

Configuration	Horizontal Quintuplex Plunger
Number of Plungers	5
Stroke Length	4.5" / 114.3 mm
Frame Load Rating	11,900 lbs
Fluid Cylinder Pressure Rating	15,000 PSI
Pump Weight (Avg.)	4,100 lbs / 1,860 kilos
Kerr Max Speed	390 RPM
API-674 Max Speed	330 RPM
Minimum Speed	100 RPM
Mechanical Efficiency (Bare Shaft)	90%
Lube System (Standard)	Splash - Gravity Feed
Lube System (Optional)	Force Feed
Lube Oil Capacity	22.5 quarts / 85.2 liters
Lube Oil Type	Petroleum per AGMA 5EP (ISO 220) or Synthetic per SAE 75W-90 (ISO 100)
Connection Sizes	2" NPT Suction 1 13/16" APJ 6XB Discharge Flange

### FLUID END

Forged Carbon Steel (A105)
Forged Stainless Steel (316)
Other materials available on request

### VALVES

<b>BALL VALVE / SEAT MATERIAL</b>	
Stanalloy / Stanalloy (440 SS)	
Sheralloy / Sheralloy (Cobalt Base)	

### PLUNGERS

Colmonoy 730 Hard Coat
Solid Ceramic (2,160 Max. PSI)
Kerramic (Ceramic) Coated
Solid 316 Stainless Steel

\* Consult Factory for Authorized Drawings for Dimensions

1) Displacement is based on 100% Volumetric Efficiency (VE)

2) Consult factory for operating speeds above maximum shown

3) 1 US gallon = 3.78541 liters

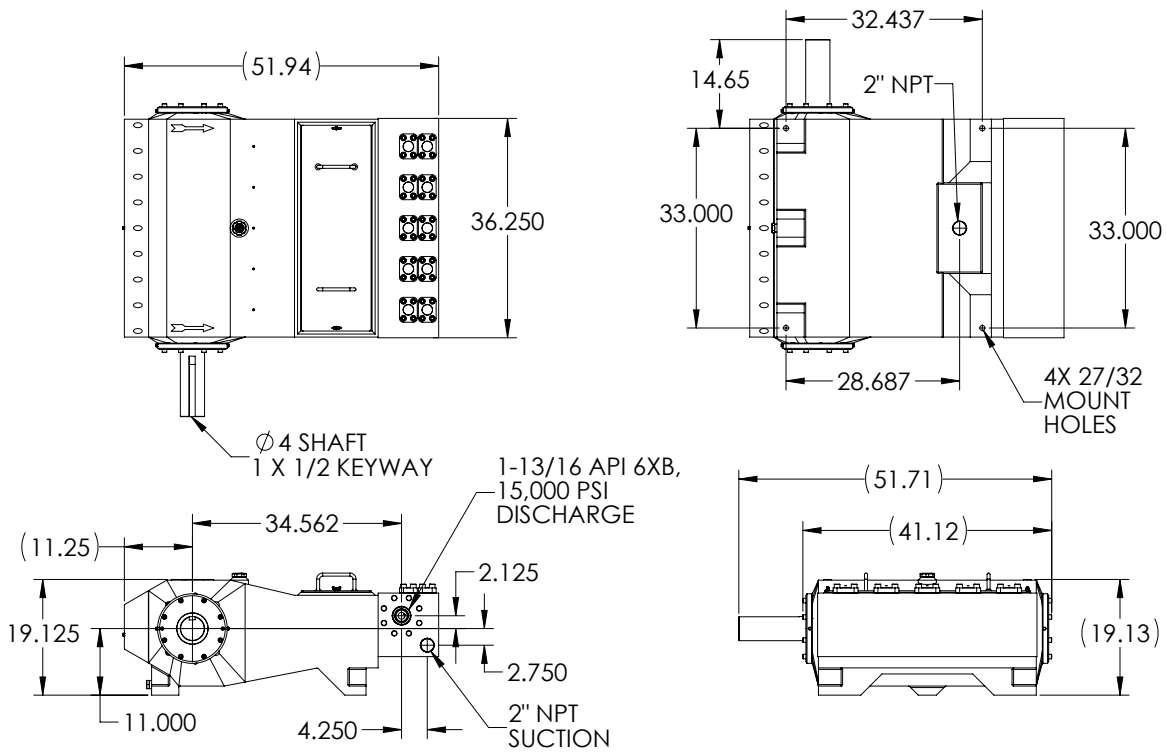
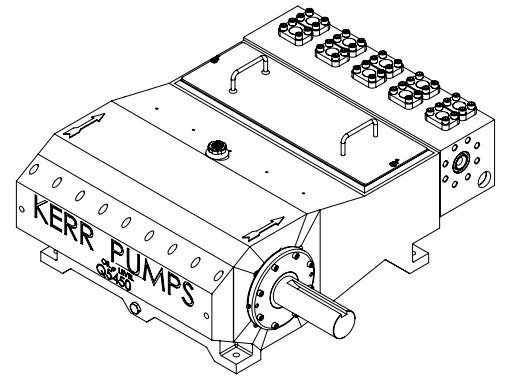
# KERR

## PUMPS

### Q45H

293 BHP Quintuplex Plunger Pump

Continuous Duty



PLGR DIA. INCHES	MAX PRESS PSI	DISP GAL PER REV	DISPLACEMENT																	
			100 RPM		150 RPM		200 RPM		250 RPM		275 RPM		310 RPM		330 RPM		360 RPM		390 RPM	
			GPM	BPD	GPM	BPD	GPM	BPD	GPM	BPD	GPM	BPD	GPM	BPD	GPM	BPD	GPM	BPD	GPM	BPD
1.125	11972	0.0968	9.7	332	14.5	498	19.4	664	24.2	830	26.6	913	30.0	1029	32.0	1096	34.9	1196	37.8	1295
1.250	9697	0.1195	12.0	410	17.9	615	23.9	820	29.9	1025	32.9	1127	37.1	1271	39.4	1353	43.0	1476	46.6	1599
1.375	8014	0.1446	14.5	496	21.7	744	28.9	992	36.2	1240	39.8	1364	44.8	1538	47.7	1637	52.1	1786	N/A	
1.500	6734	0.1721	17.2	590	25.8	886	34.4	1181	43.0	1476	47.3	1624	53.4	1830	N/A		N/A		N/A	

\* Consult Factory for Authorized Drawings for Dimensions

1) Displacement is based on 100% Volumetric Efficiency (VE)

2) Consult factory for operating speeds above maximum shown

3) 1 US gallon = 3.78541 liters